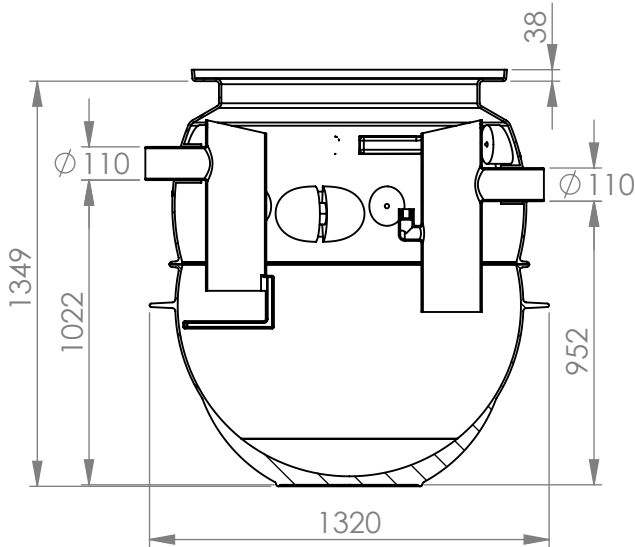
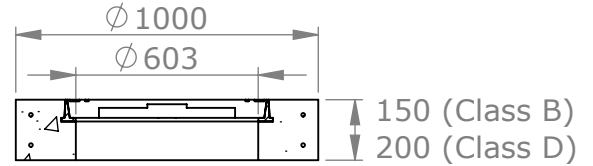


Specification Information Sheet

Lipumax-P 720L
Part no. 142094

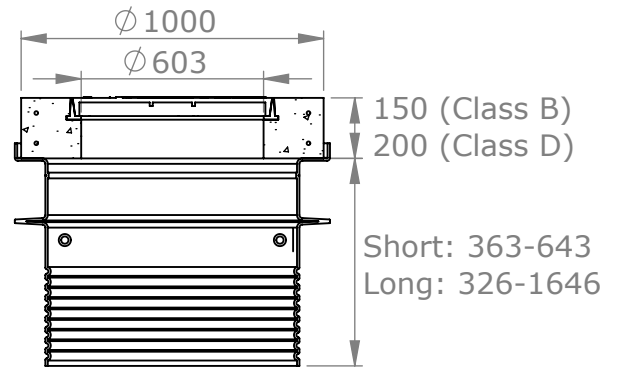


Cover and collar



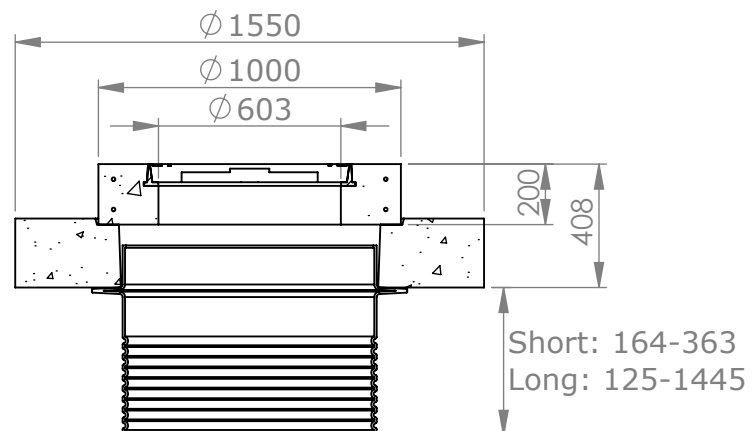
SAKU® Class B: 142296
 Rhinocast® Class B: 142120
 Rhinocast® Class D: 142099

Cover, collar and riser tube



SAKU® Class B: 142780
 Rhinocast® Class B: 142781
 Rhinocast® Class D: 142782

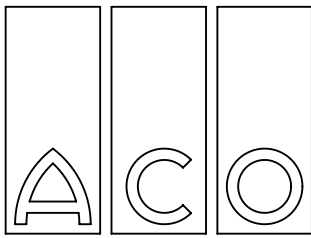
Cover, collar, riser tube and load distribution plate



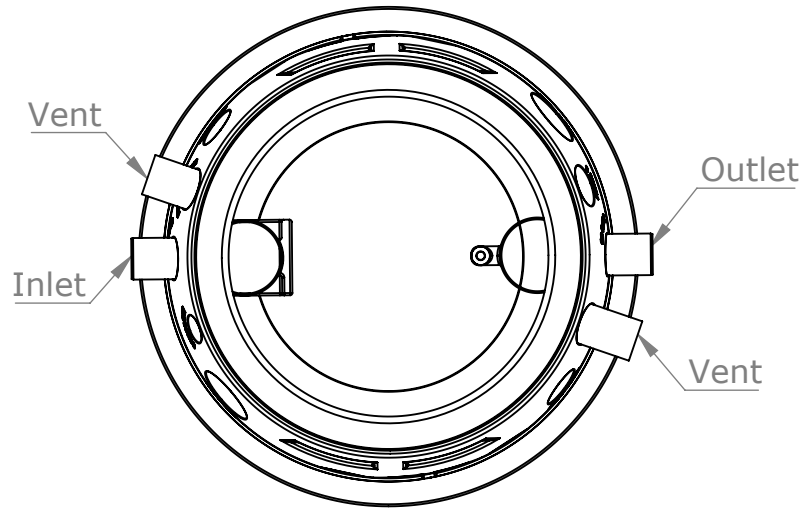
Rhinocast® Class D: 142299

www.acopassavant.com.au
Ph: 1300 765 266 (Australia)
Ph: +61 2 4747 4000 (International)

*All dimensions in mm



Specification Information Sheet



Specification Clause

Grease trap shall be ACO Passavant Lipumax-P 720L below ground grease trap, part number 142094. The grease trap shall be supplied with Part No. _____ cover & collar / Part No. _____ cover, collar & riser tube / Part No. _____ cover, collar, riser tube & load distribution plate.

Grease trap shall be supplied and manufactured by ACO and installed in accordance with local codes and Standards.

The grease trap shall be manufactured in accordance with EN 1825 from polyethylene. The design shall feature a rib-structure to key into concrete and manufactured in one piece. The effluent quality must comply with EN 1825.