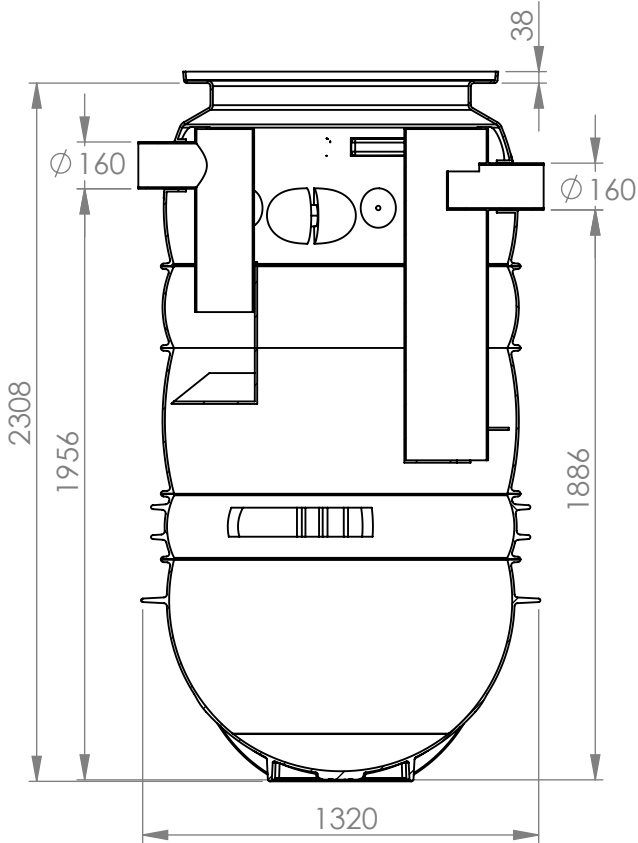
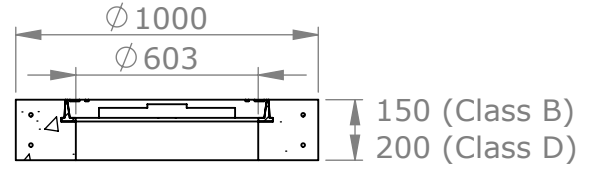


# Specification Information Sheet

**Lipumax-P 1500L**  
**Part no. 142096**

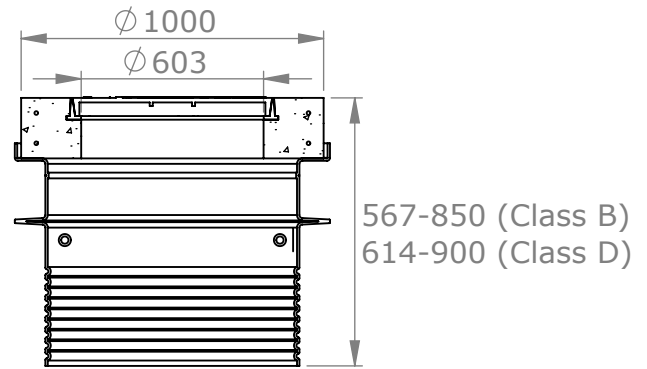


## Cover and collar



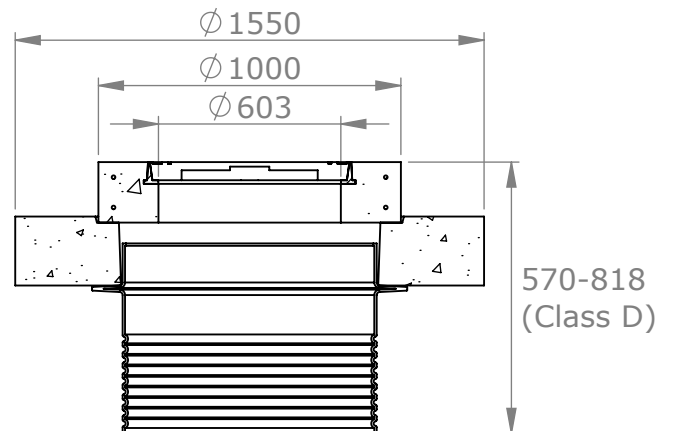
SAKU® Class B: 142296  
 Rhinocast® Class B: 142120  
 Rhinocast® Class D: 142099

## Cover, collar and riser tube



SAKU® Class B: 142780  
 Rhinocast® Class B: 142781  
 Rhinocast® Class D: 142782

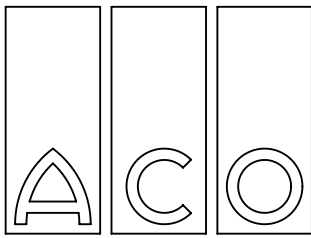
## Cover, collar, riser tube and load distribution plate



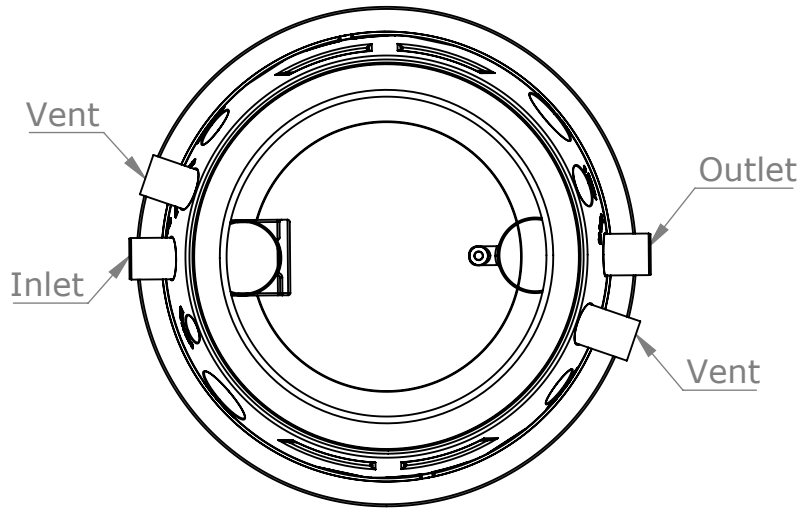
Rhinocast® Class D: 142299

**www.acopassavant.com.au**  
**Ph: 1300 765 266 (Australia)**  
**Ph: +61 2 4747 4000 (International)**

\*All dimensions in mm



## Specification Information Sheet



### Specification Clause

Grease trap shall be ACO Passavant Lipumax-P 1500L below ground grease trap, part number 142096. The grease trap shall be supplied with a SAKU® Class B 80kN (AS 3996) cover and reinforced concrete collar, part number 142119 / Rhinocast Class B 80 kN (AS 3996) cover and reinforced concrete collar, part number 142120 / Rhinocast Class D 210 kN (AS 3996) cover, reinforced concrete collar and load distribution plate, part number 142299 / Rhinocast Class D 210 kN (AS 3996) cover and reinforced concrete collar to suit engineered slab details, part number 142099.

Grease trap shall be supplied and manufactured by ACO and installed in accordance with local codes and Standards.

The grease trap shall be manufactured in accordance with EN 1825 from polyethylene. The design shall feature a rib-structure to key into concrete and manufactured in one piece. The effluent quality must comply with EN 1825..