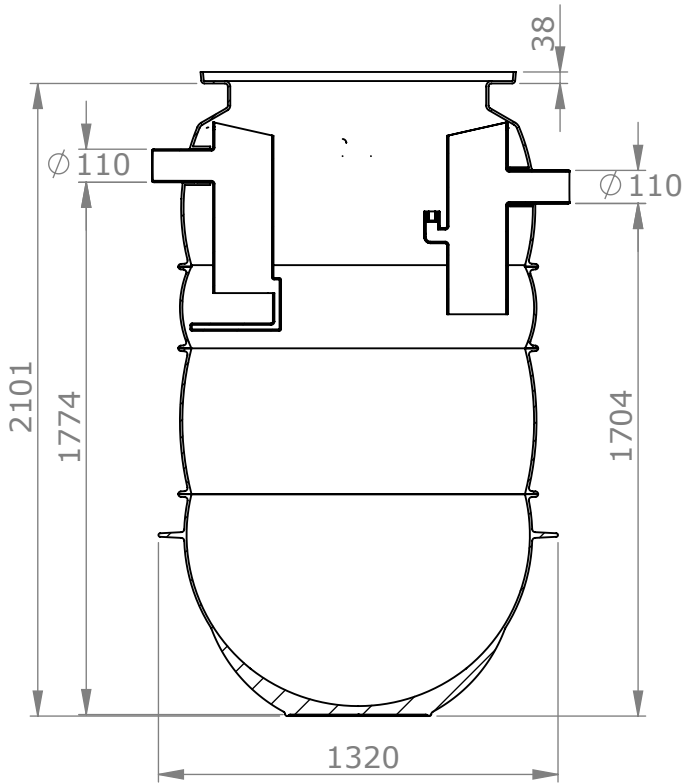
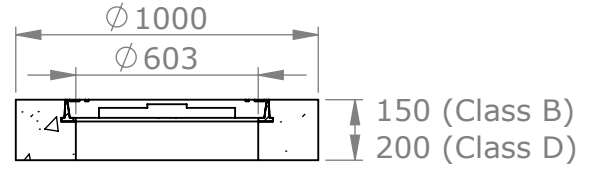


Specification Information Sheet

Lipumax-P 1000L Part no. 142095

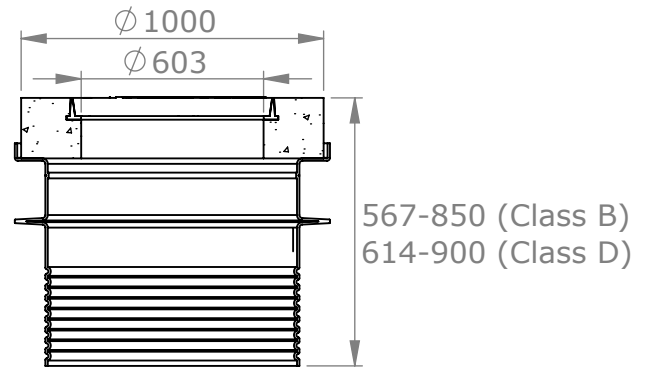


Cover and collar



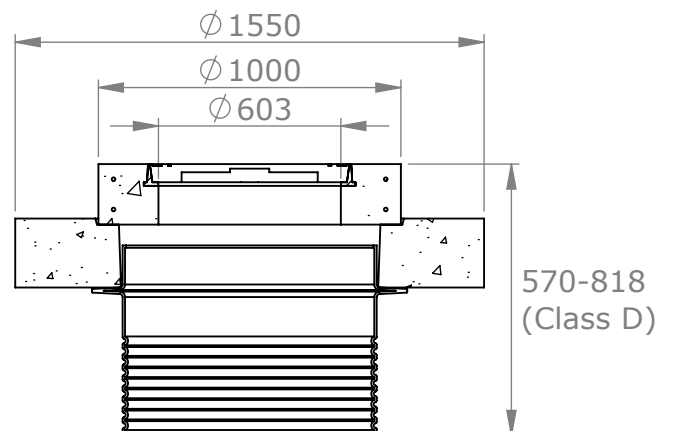
SAKU® Class B: 142296
Rhinocast® Class B: 142120
Rhinocast® Class D: 142099

Cover, collar and riser tube

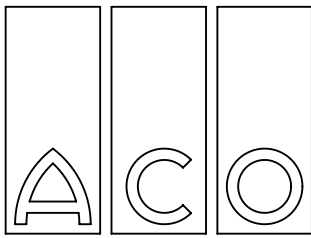


SAKU® Class B: 142780
Rhinocast® Class B: 142781
Rhinocast® Class D: 142782

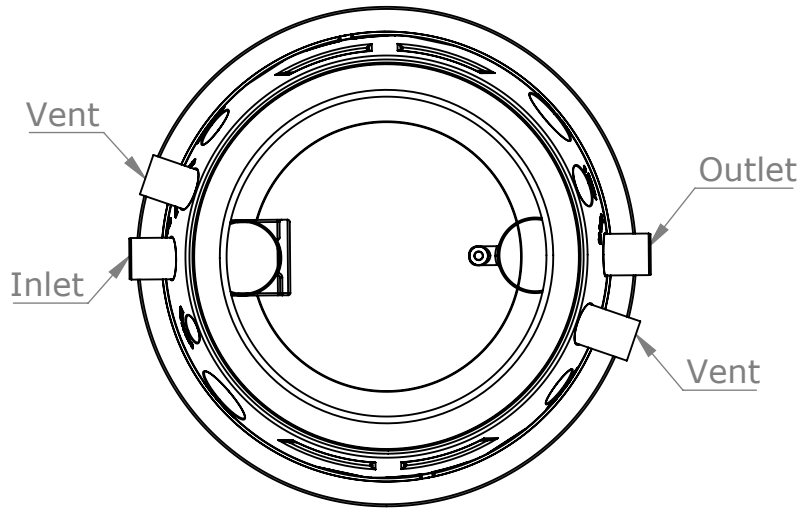
Cover, collar, riser tube and load distribution plate



Rhinocast® Class D: 142299



Specification Information Sheet



Specification Clause

Grease trap shall be ACO Passavant Lipumax-P 1000L below ground grease trap, part number 142095. The grease trap shall be supplied with a SAKU® Class B 80kN (AS 3996) cover and reinforced concrete collar, part number 142119 / Rhinocast Class B 80 kN (AS 3996) cover and reinforced concrete collar, part number 142120 / Rhinocast Class D 210 kN (AS 3996) cover reinforced concrete, collar and load distribution plate, part number 14229/ Rhinocast Class D 210 kN (AS 3996) cover and reinforced concrete collar to suit engineered slab details, part number 142099.

Grease trap shall be supplied and manufactured by ACO and installed in accordance with local codes and Standards.

The grease trap shall be manufactured in accordance with EN 1825 from polyethylene. The design shall feature a rib-structure to key into concrete and manufactured in one piece. The effluent quality must comply with EN 1825.